

4-wheeled container systems

MGB 660



MGB 660

Material and Design

- Polymer components injection moulded from specially designed HDPE
- Resistant to decay, frost, heat and many chemicals
- Special UV-stabilisation provides excellent ageing characteristics
- Additives are cadmium free and environmentally friendly
- Metal components are corrosion resistant
- Quiet-running solid rubber tyres
- Compatible with identification and weighing systems
- Fitted as standard with chip nest in accordance with RAL GZ 951/1
- High quality materials and most advanced manufacturing processes guarantee a long service life
- All container parts are recyclable

Quality

- Certified according to EN 840 and RAL GZ 951/1
- Constant quality control through own laboratory as well as independent institutes

Safety and Handling

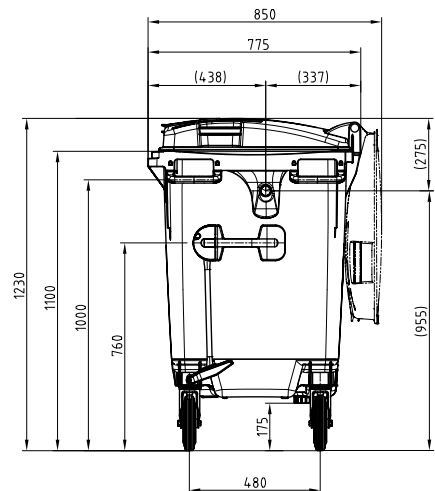
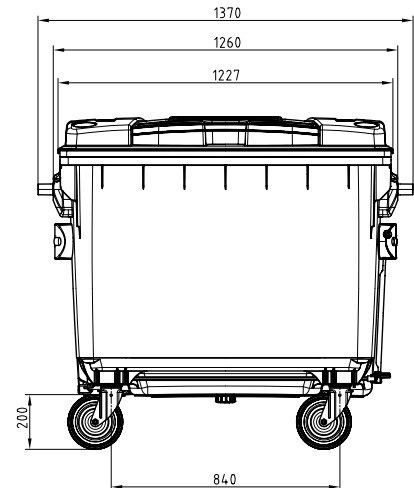
- Large lifting trunnions with steel insert for increased safety during emptying
- Double angle rail for highest safety during emptying with comb lifting devices
- Easy-grip handles on all sides of the body
- Safe, easy handling, even with heavy loads
- Reinforced base and front and rear panels for highest stability
- Various wheel assembly configurations for different applications
- Special ribs prevent containers from becoming jammed when stacked
- Easy-grip handles on the front and sides of lid for easy filling
- Stable and lightweight lid
- Rounded lid profile for improved rainwater dispersal
- No water ingress when opening the lid
- Easy to clean due to smooth surfaces and rounded internal corners

Colours

- Standard colours grey, green, blue and yellow
- Special colours are available on request

Accessories

- Comprehensive range of accessories in separate brochure



all dimensions may vary due to production conditions

Specifications

Nominal volume	Net weight	Max. load	Permitted total weight
660 litres	ca. 43 kg	265 kg	310 kg

